



LED NEON FLEX

www.displaylighting.co.nz 09 427 5310



display
lighting

www.displaylighting.co.nz 09 427 5310

IGNITE NEON FLEX DOMED SERIES

Ignite Neon Flex Domed is an architectural grade LED Neon with high lumen output (up to 380lm per metre), its built-in constant current circuit board keeps even illumination without voltage drop. The domed shape with 320 degree beam angle makes it more suitable for surface mounted installation. Our LED Ignite Neon Flex Domed series is widely used in entertainment, signage, building profile and landscape lighting installations.

Available in a PVC or Silicone housing.



IGNITE DOMED SINGLE COLOUR

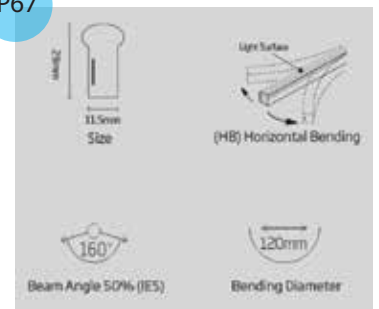
AVAILABLE COLOURS:



VOLTAGE: 24V DC 12 WATTS PER METRE
 OPERATING TEMPERATURE: -20°C to +45°C PVC -40°C to +55°C SILICONE

DIMENSIONS: (W) 11.5MM (H) 29MM	CUTTING LENGTH: 83.3MM/ 125MM	LUMEN OUTPUT: White: 340-380 Red: 140 Green: 280 Blue: 40 Yellow: 260 Orange: 80 Amber: 140	LED PITCH: 16.6mm
MAX RUN LENGTH: 10m SINGLE 20M BOTH ENDS	LEDs PER METRE: 60	LIFE: 50,000 HOURS	

IP67



IGNITE DOMED RGB

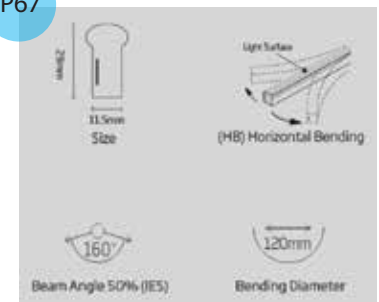
AVAILABLE COLOURS:



VOLTAGE: 24V DC 12 WATTS PER METRE
 OPERATING TEMPERATURE: -20°C to +45°C PVC -40°C to +55°C SILICONE

DIMENSIONS: (W) 11.5MM (H) 29MM	CUTTING LENGTH: 100MM	LUMEN OUTPUT: 130lm WITH RGB FULL LOAD	LED PITCH: 16.6mm
MAX RUN LENGTH: 10M SINGLE 20M BOTH ENDS	LEDs PER METRE: 60	LIFE: 50,000 HOURS	

IP67



*Ignite Domed available in RGB DMX, Digital & Micro on request.
 Please contact us for more information.

IGNITE NEON FLEX FLAT SERIES

Ignite Neon Flex Flat is an architectural grade LED Neon with lumen output up to 350lm per meter, its built in constant current circuit board keeps even illumination without voltage drop. The flat shape with sleek line makes it more popular for lighting designers and architects, and more suitable for recessed installation. Ignite LED Neon Flex flat series gives a real simple but elegant feeling/atmosphere. Different bending directions bring more possibility in lighting design. The flat lighting surface series is suitable for embedded installation, and is often used in facade, hotel, and commercial lighting installations.



Available in a PVC or Silicone housing.

IGNITE FLAT SINGLE COLOUR

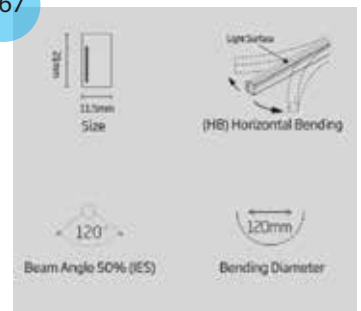
AVAILABLE COLOURS:



VOLTAGE: 24V DC 12 WATTS PER METRE
 OPERATING TEMPERATURE: -20°C to +45°C PVC -40°C to +55°C SILICONE

DIMENSIONS: (W) 11.5MM (H) 21MM	CUTTING LENGTH: 83.3MM/ 125MM	LUMEN OUTPUT: White: 260-300 Red: 110 Green: 220 Blue: 35 Amber: 50	LED PITCH: 16.6mm
MAX RUN LENGTH: 10M SINGLE 20M BOTH ENDS	LEDs PER METRE: 60		LIFE: 50,000 HOURS

IP67



IGNITE FLAT RGB

AVAILABLE COLOURS:



VOLTAGE: 24V DC 12 WATTS PER METRE
 OPERATING TEMPERATURE: -20°C to +45°C PVC -40°C to +55°C SILICONE

DIMENSIONS: (W) 11.5MM (H) 29MM	CUTTING LENGTH: 100MM	LUMEN OUTPUT: 130lm WITH RGB FULL LOAD	LED PITCH: 16.6mm
MAX RUN LENGTH: 10M SINGLE 20M BOTH ENDS	LEDs PER METRE: 60		LIFE: 50,000 HOURS

IP67



*Ignite Flat available in RGB DMX, Digital & Micro on request. Please contact us for more information.

IGNITE NEON FLEX SIDE SERIES

IGNITE SIDE SINGLE COLOUR

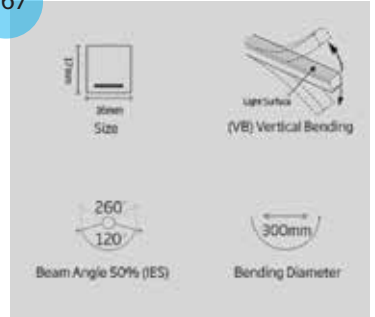
AVAILABLE COLOURS:



VOLTAGE: 24V DC 12 WATTS PER METRE
 OPERATING TEMPERATURE: -20°C to +45°C PVC, -40°C to +55°C SILICONE

DIMENSIONS: (W) 16MM (H) 17MM	CUTTING LENGTH: 55.6M/ 83.3MM	LUMEN OUTPUT: White: 360-480 Red: 170 Green: 550 Blue: 85 Amber: 170	LED PITCH: 6.9MM
MAX RUN LENGTH: 10M SINGLE 20M BOTH ENDS	LEDs PER METRE: 144		LIFE: 50,000 HOURS

IP67



IGNITE SIDE RGB

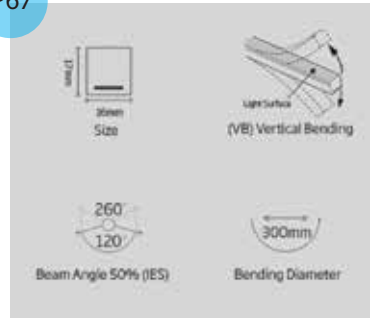
AVAILABLE COLOURS:



VOLTAGE: 24V DC 12 WATTS PER METRE
 OPERATING TEMPERATURE: -20°C to +45°C PVC -40°C to +55°C SILICONE

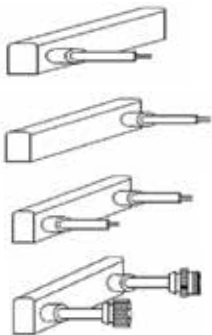
DIMENSIONS: (W) 16MM (H) 17MM	CUTTING LENGTH: 83.3MM	LUMEN OUTPUT: 318lm WITH RGB FULL LOAD	LED PITCH: 16.6mm
MAX RUN LENGTH: 7M SINGLE 14M BOTH ENDS	LEDs PER METRE: 60		LIFE: 50,000 HOURS

IP67



*Ignite Flat available in RGB DMX, Digital & Micro on request. Please contact us for more information.

NEON FLEX ACCESSORIES + CHANNEL



Ignite Neon Flex power leads are of very high quality, 24V injection moulded. Available in end, bottom & side. IP68 also available on request. Tails are standard 1m, custom lengths available on request.

Injection moulded end caps are also available in IP67

IP67

IGNITE NEON FLEX CHANNEL & CLIPS
 AVAILABLE ON REQUEST